

YORKVILLE / RAYMOND DRAINAGE DISTRICT

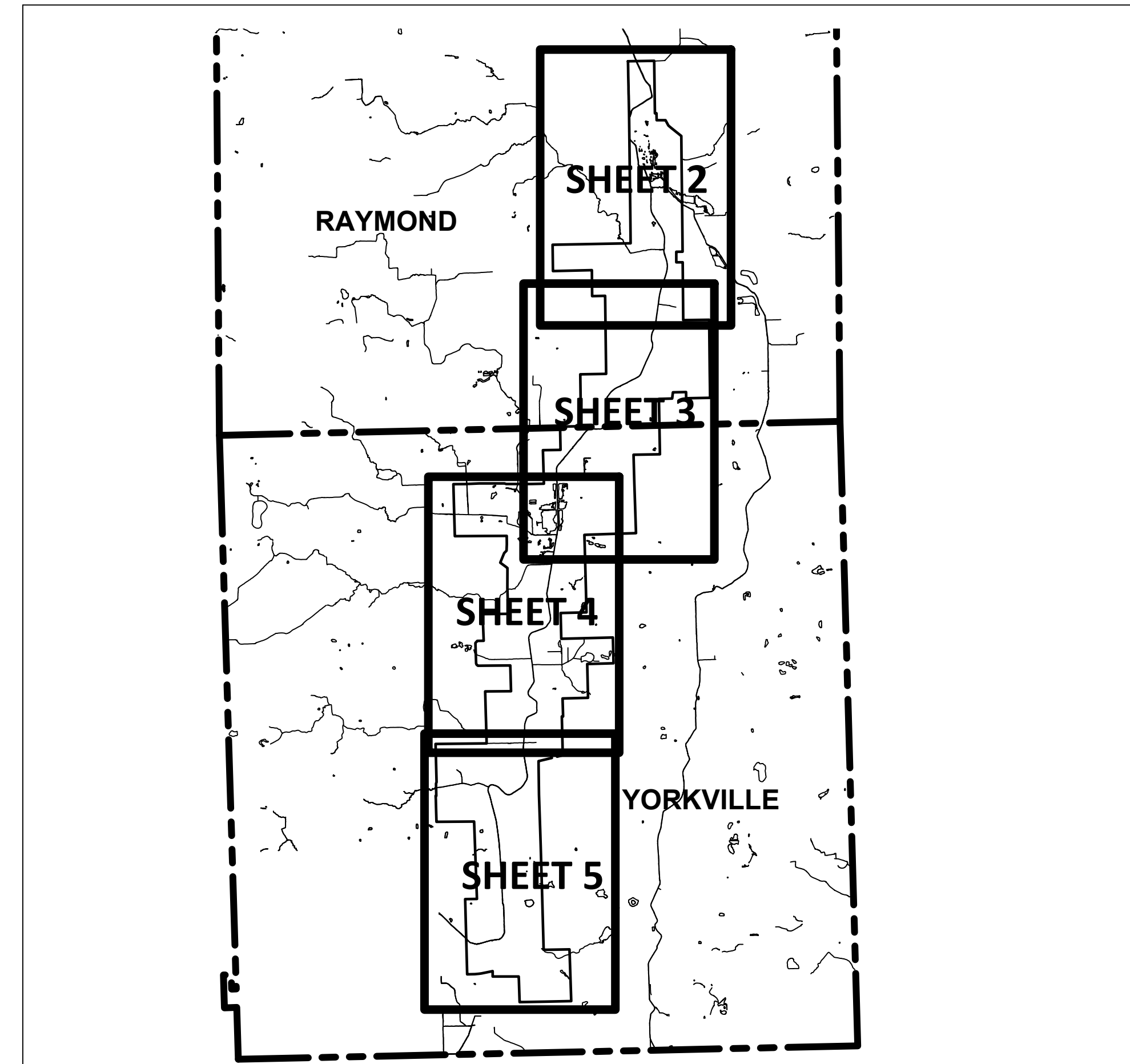
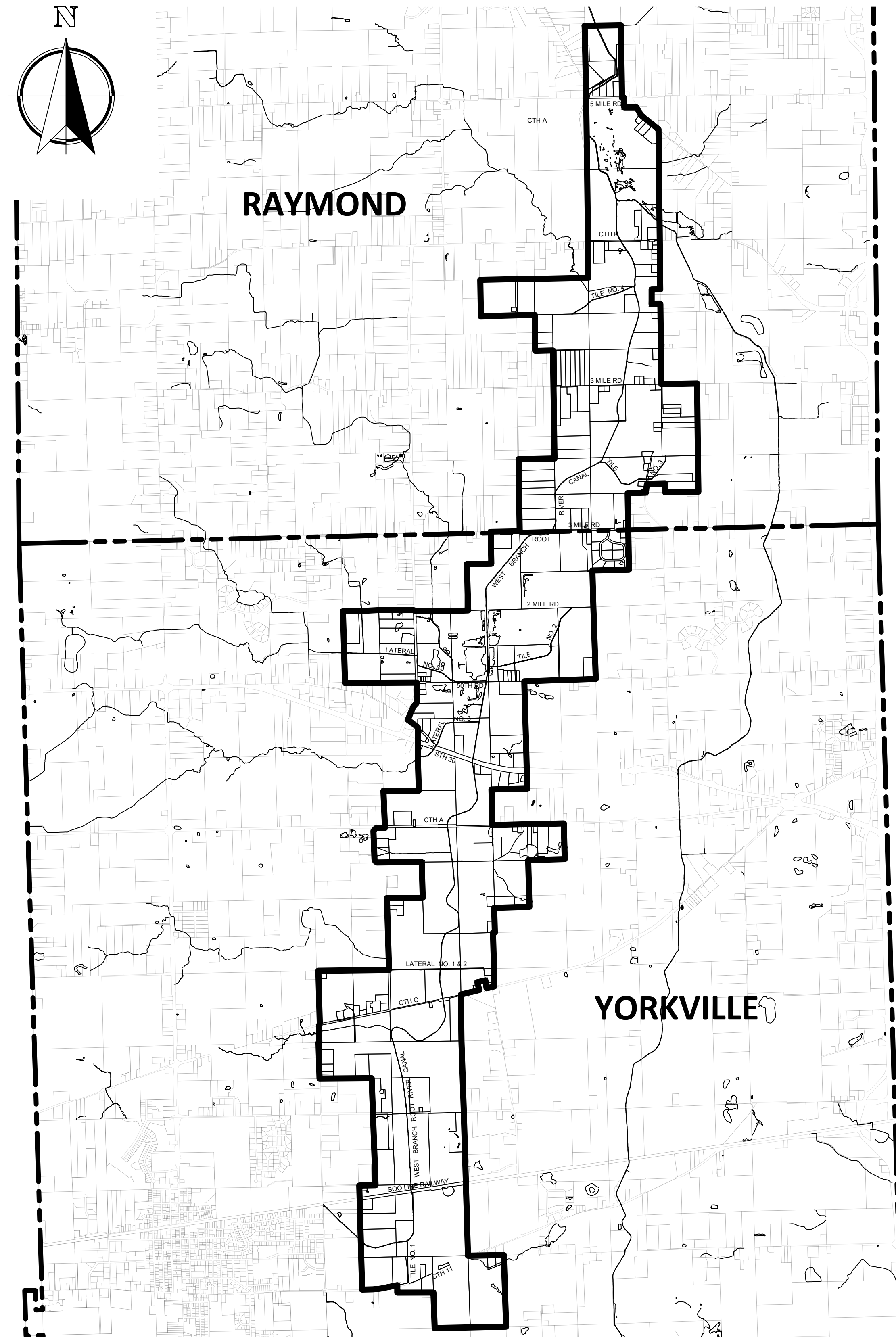
MAPPING AND BENEFITS ASSESSMENT

for

RACINE COUNTY BOARD OF DRAINAGE COMMISSIONERS



Nielsen Madsen + Barber
 CIVIL ENGINEERS AND LAND SURVEYORS
 1458 Horizon Blvd. Suite 200, Racine, WI. 53406
 Tele: (262)634-5588 Website: www.nmbssc.net



OVERALL DISTRICT LOCATION MAP

LEGEND

- NEW DISTRICT BOUNDARY
- TOWNSHIP BOUNDARY

YORKVILLE - RAYMOND DRAINAGE DISTRICT ASSESSMENT MAPPING

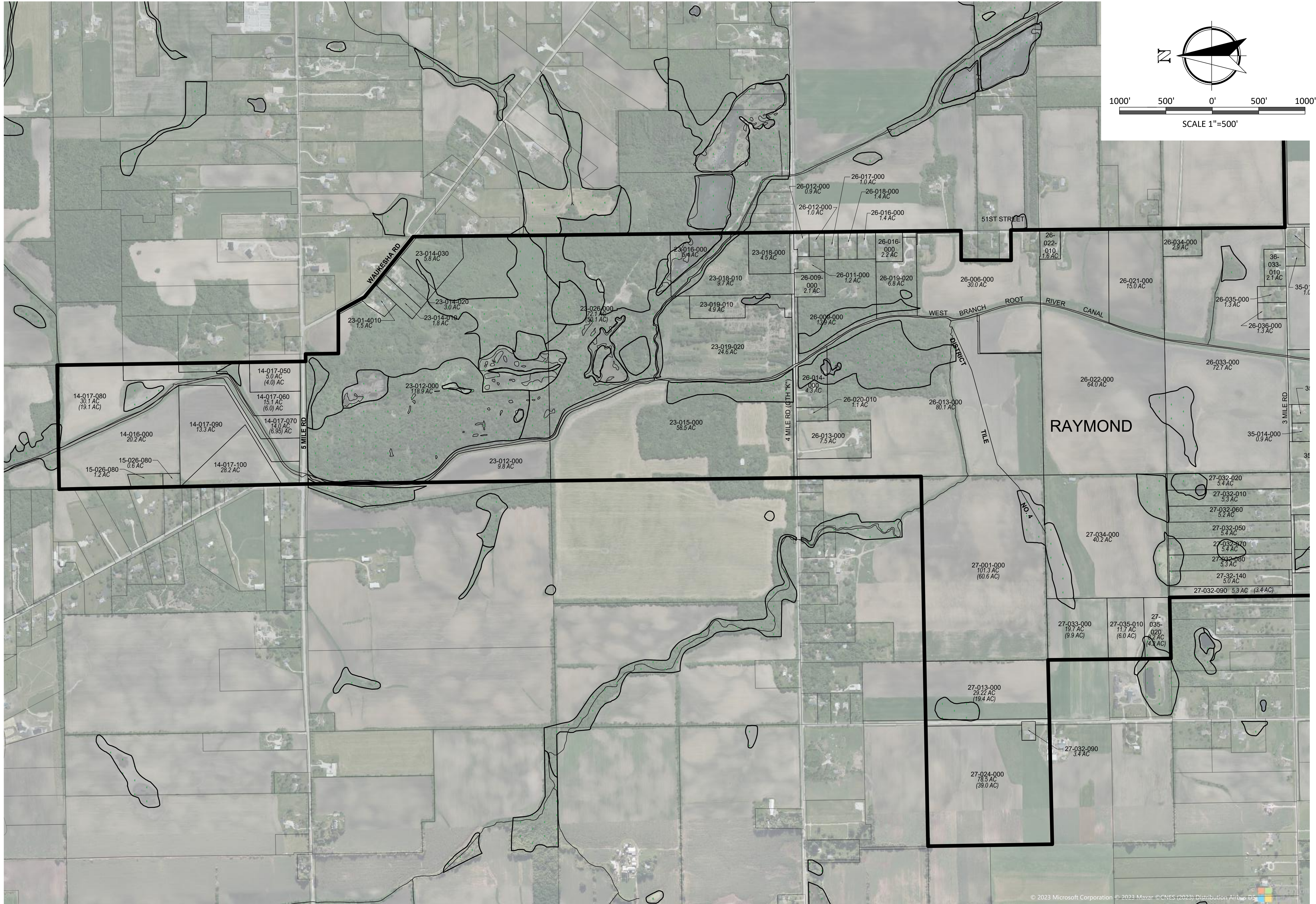
COUNTY OF RACINE, STATE OF WISCONSIN

NO.	REVISION	DATE

PROJ. MGR: _____ MRM
 DRAFTED: _____ SJF
 DATE: 6-29-2023
 CHECKED: _____ JJC
 DATE: 6-30-2023

2023.0006.04

SHEET
1 OF **5**



© 2023 Microsoft Corporation © 2023 Maxar © CNES (2023) Distribution Airbus DS



Nielsen Madsen + Barber
CIVIL ENGINEERS AND LAND SURVEYORS

1458 Horizon Blvd, Suite 200, Racine, WI 53406
Tele: (262)634-5588 Website: www.nmbasc.net

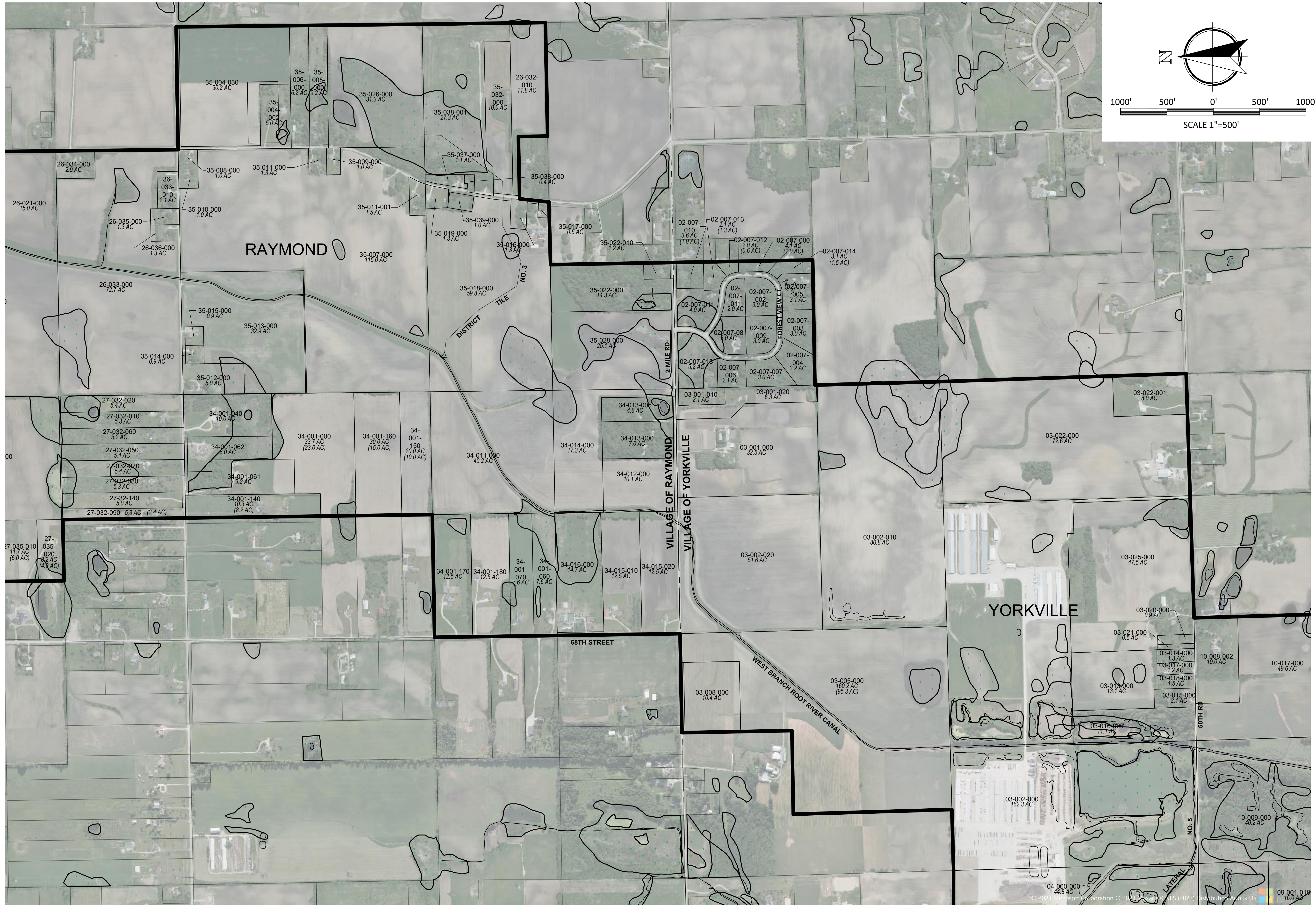
YORKVILLE - RAYMOND DRAINAGE DISTRICT ASSESSMENT MAPPING

COUNTY OF RACINE, STATE OF WISCONSIN

NO.	REVISION	DATE

PROJ. MGR: _____ MRM
 DRAFTED: _____ SJE
 DATE: 6-29-2023
 CHECKED: _____ JJC
 DATE: 6-30-2023

2023.0006.04



Nielsen Madsen + Barber
 CIVIL ENGINEERS AND LAND SURVEYORS
 1458 Horizon Blvd. Suite 200, Racine, WI. 53406
 Tele: (262)634-5588 Website: www.nmbssc.net

**YORKVILLE - RAYMOND
 DRAINAGE DISTRICT
 ASSESSMENT MAPPING**

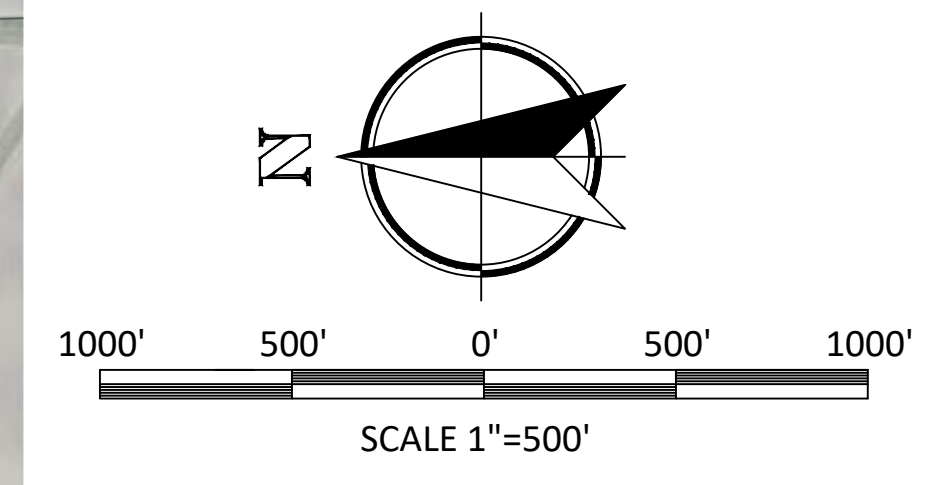
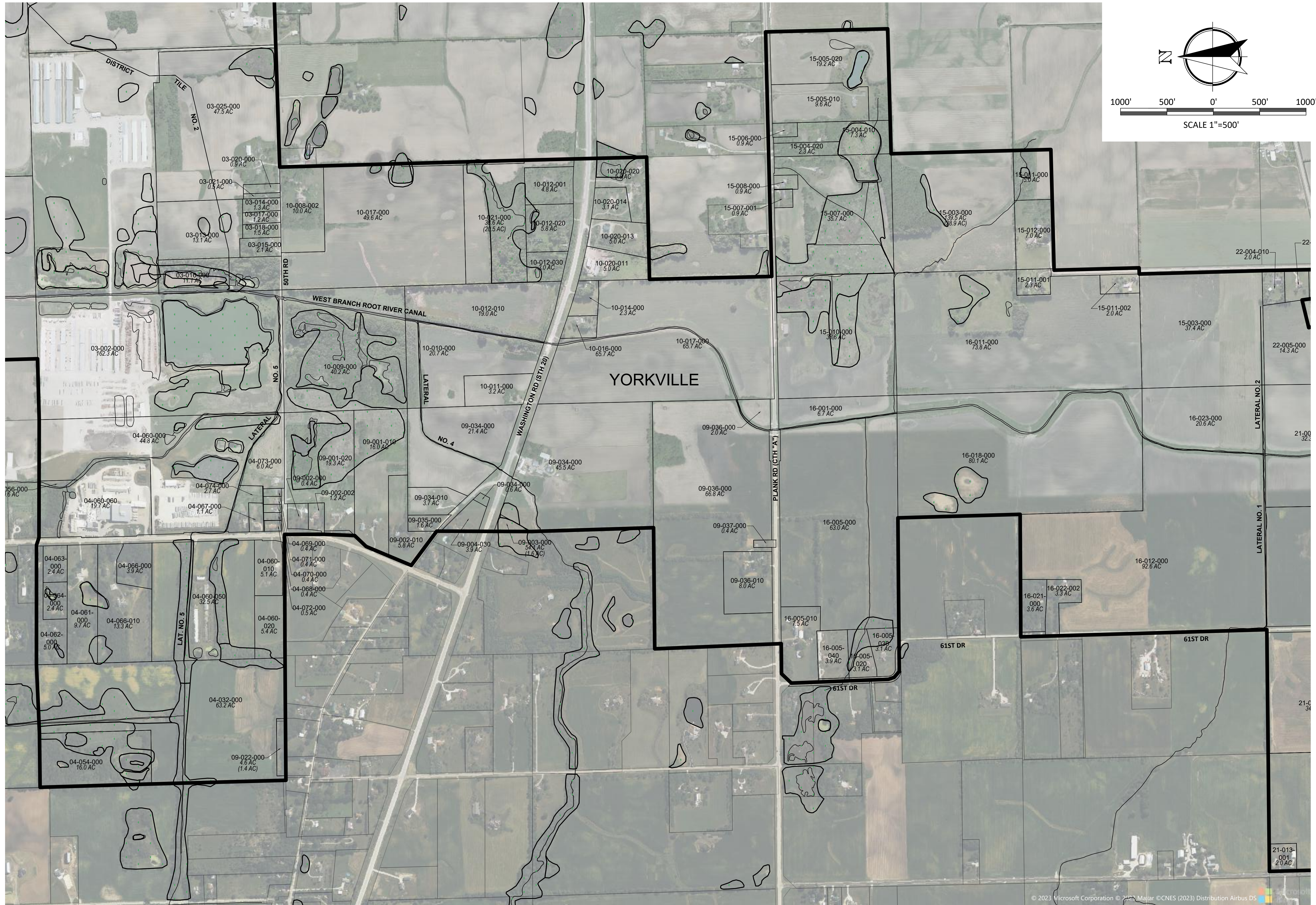
COUNTY OF RACINE, STATE OF WISCONSIN

NO.	REVISION	DATE

PROJ. MGR: _____ MRM
 DRAFTED: _____ SJF
 DATE: 6-29-2023
 CHECKED: _____ JJC
 DATE: 6-30-2023

2023.0006.04

SHEET
3 OF **5**



Nielsen Madsen + Barber
 CIVIL ENGINEERS AND LAND SURVEYORS
 1458 Horizon Blvd. Suite 200, Racine, WI. 53406
 Tele: (262)634-5588 Website: www.nmbssc.net

YORKVILLE - RAYMOND DRAINAGE DISTRICT ASSESSMENT MAPPING

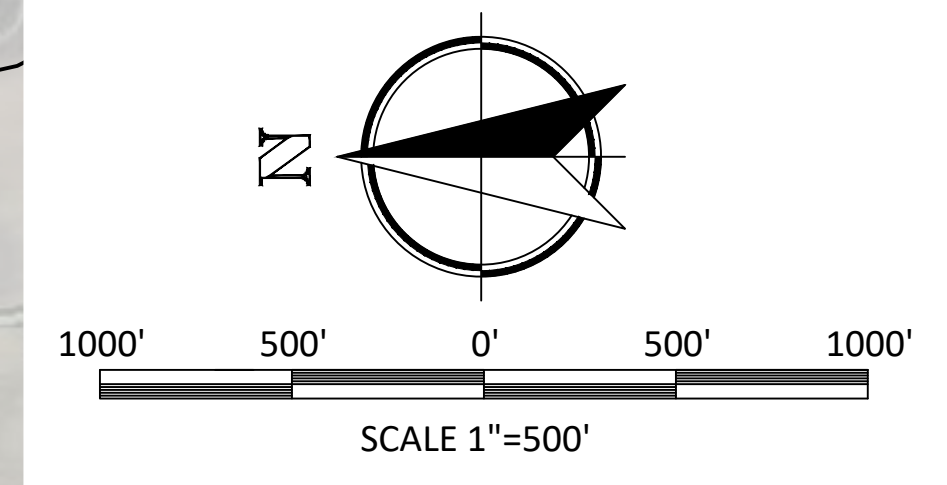
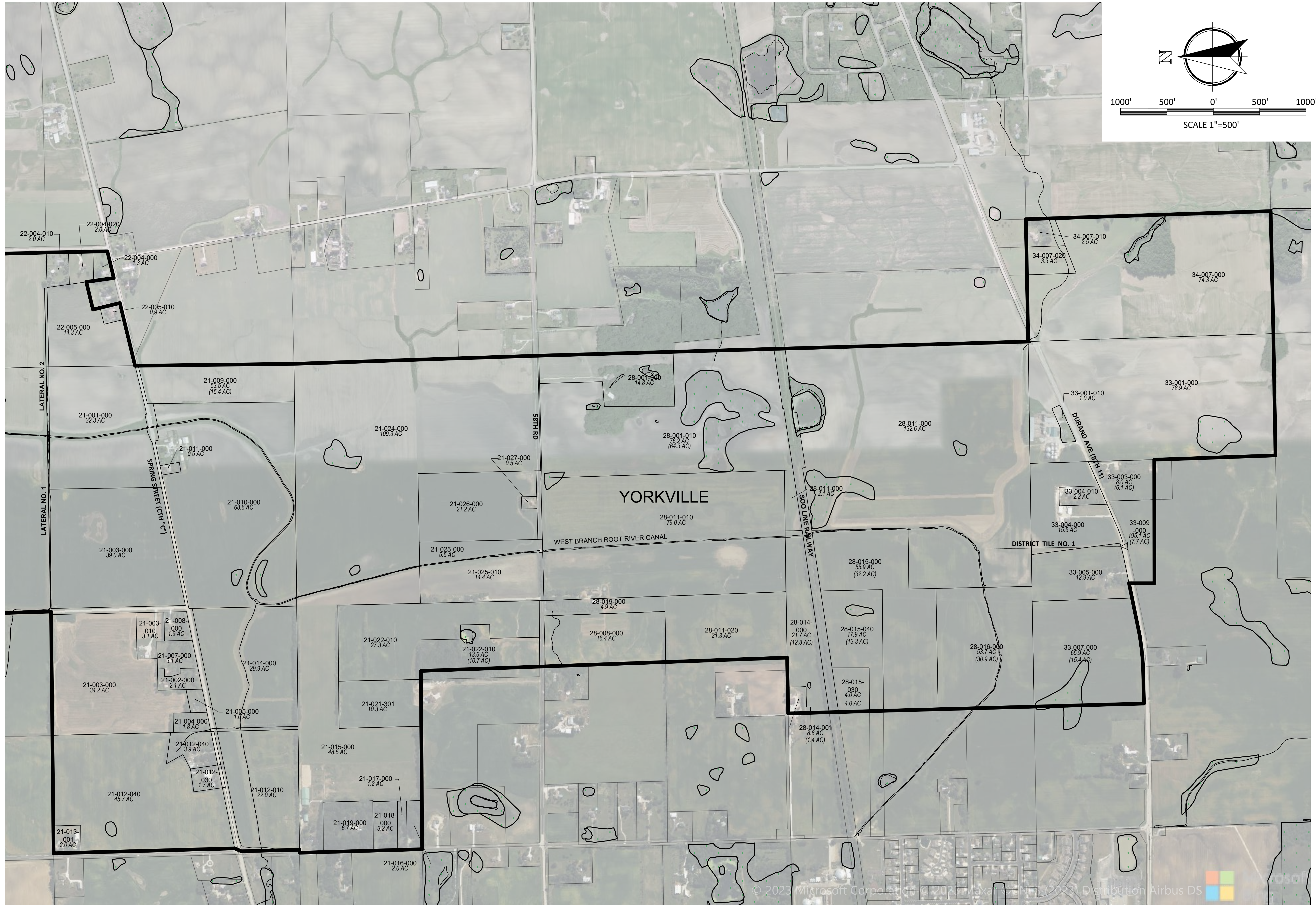
COUNTY OF RACINE, STATE OF WISCONSIN

NO.	REVISION	DATE

PROJ. MGR: _____ MRM
 DRAFTED: _____ SJF
 DATE: 6-29-2023
 CHECKED: _____ JJC
 DATE: 6-30-2023

2023.0006.04

SHEET
4 OF **5**



Nielsen Madsen + Barber
 CIVIL ENGINEERS AND LAND SURVEYORS
 1458 Horizon Blvd. Suite 200, Racine, WI. 53406
 Tele: (262)634-5588 Website: www.nmbssc.net

YORKVILLE - RAYMOND DRAINAGE DISTRICT ASSESSMENT MAPPING

COUNTY OF RACINE, STATE OF WISCONSIN

NO.	REVISION	DATE

PROJ. MGR: _____ MRM
 DRAFTED: _____ SJF
 DATE: 6-29-2023
 CHECKED: _____ JJC
 DATE: 6-30-2023

2023.0006.04

SHEET
5 OF **5**